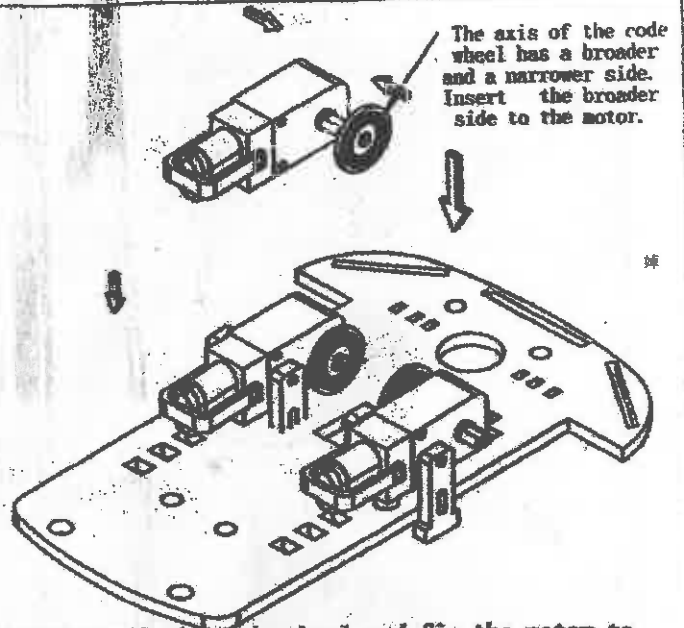
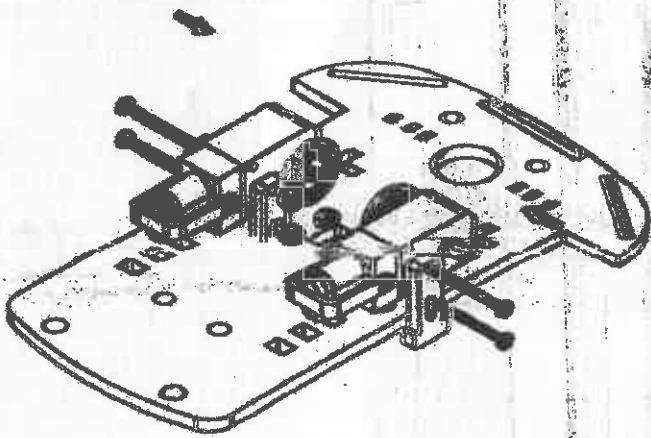


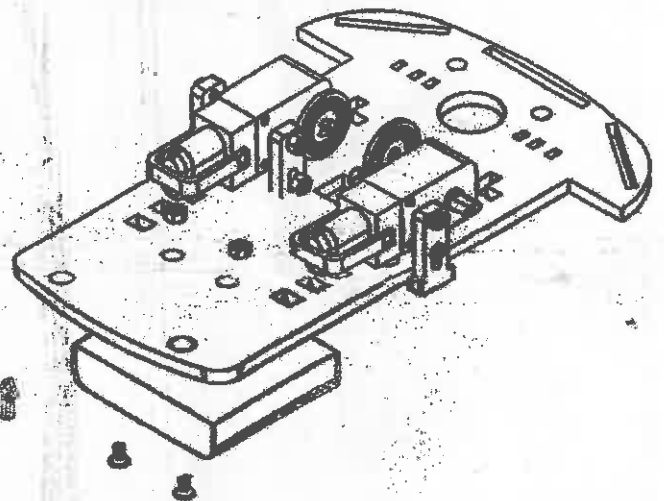
Step1: Insert the fastener into the chassis after tearing off the yellow protection wrap of the chassis, the fastener and the code wheel.



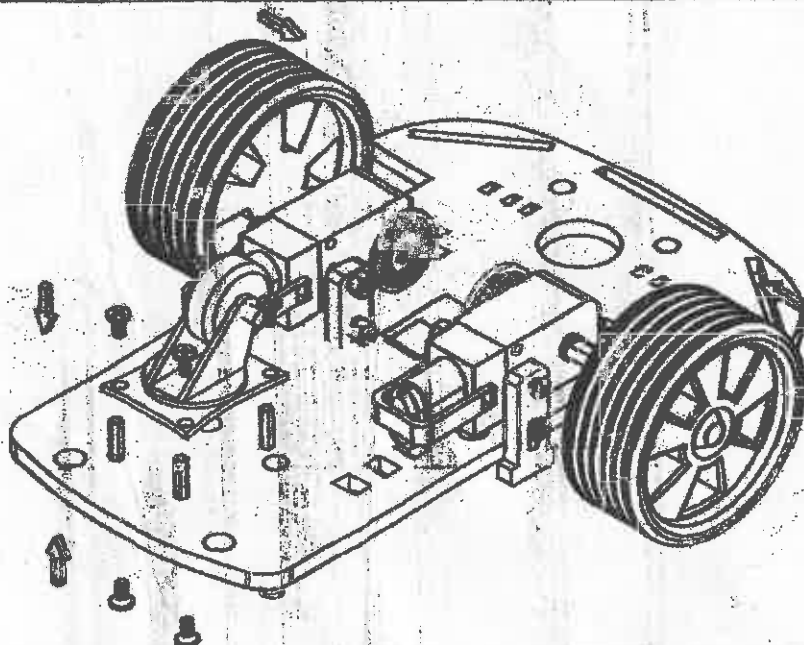
Step2: Install the code wheel and fix the motor to the chassis. (Attention, the copper sheet of the leading wire of the motor should face outward, the same side of the wheel)



Step3: Fix the motor to the chassis, then insert and tighten the screws.

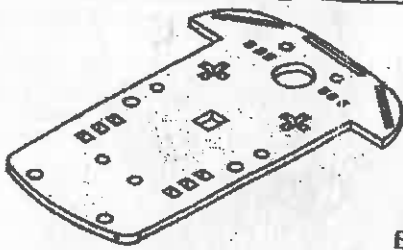


Step4: Insert the screws and fix the battery container.

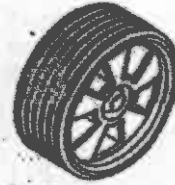


Step5: Insert the spacer and tighten the 8 screws to fix the hammer caster. Hold tight and insert the motor (protection fastener) to the wheel. Installation completed.

ZK-2WD



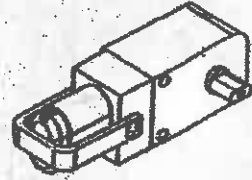
Base Board 1 Piece



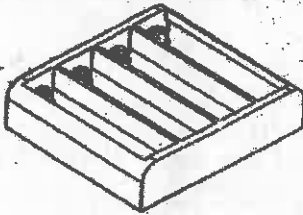
Wheel 2 Pieces



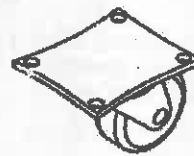
Encoder Disc 2 Pieces



Deceleration DC motor 2 Pieces



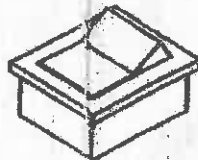
Battery container 1 piece



Hammer caster 1 piece



M3\*30 Screw 4 bars



Switch 1 Piece



Fastener 4 Pieces



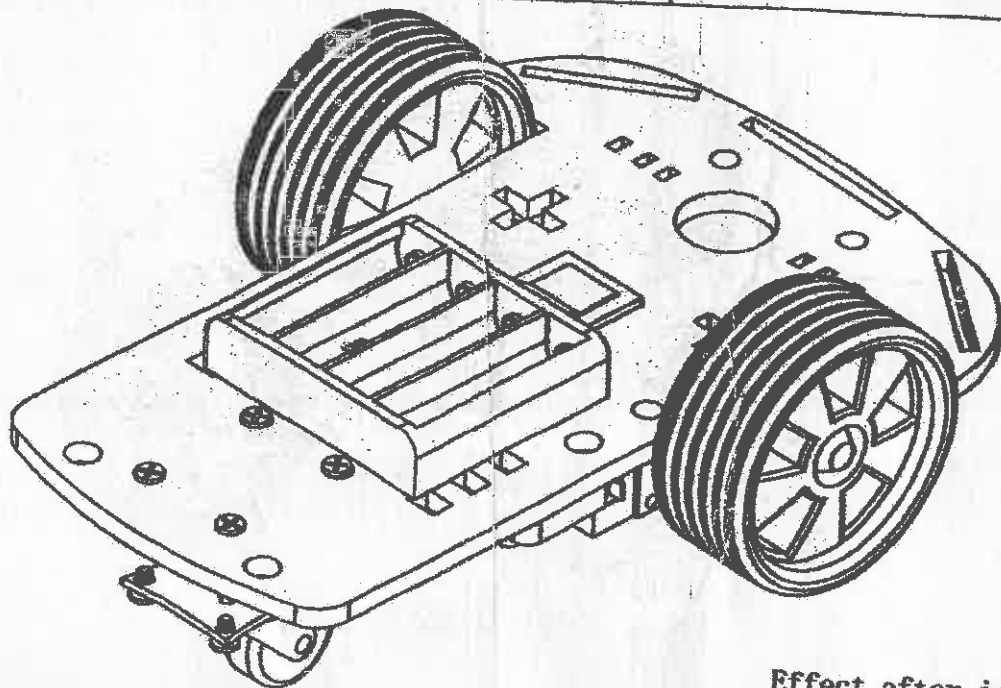
M3\*8 Screw 8 bars



M3 nut 6 Pieces



L12 Spacer 4 bars



Effect after installation